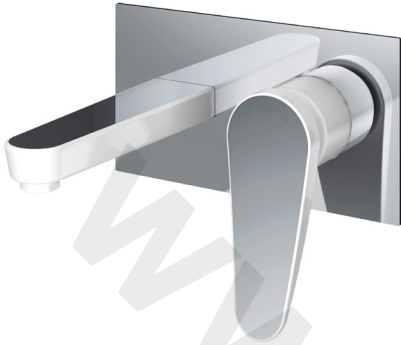


CLR WMBF WHT

CLARET Tap Range Claret Wall Mounted Bath Filler White & Chrome



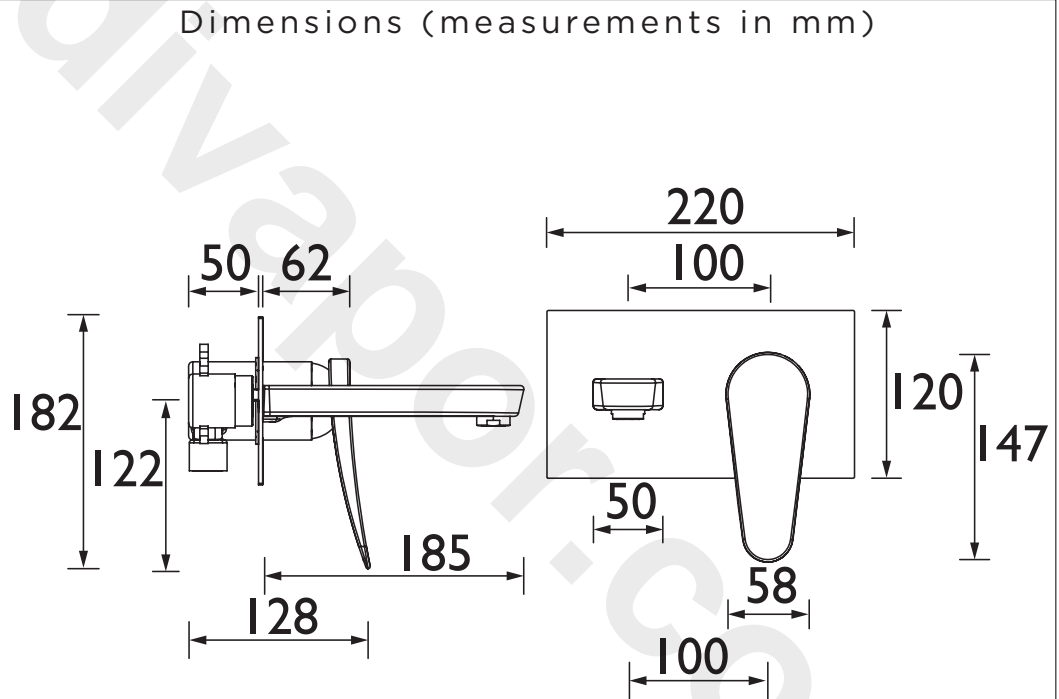
Specification

Product Type:	Bathroom Taps
Main Construction Material:	Brass
Mount Type:	Wall Mounted
Handle Type:	Single Lever
Connection Inlet:	1/2" BSP 15mm Compression
Connection Outlet:	M24 Coin Slot Anti-Splash
Number of Tap Holes:	3
Valve/Cartridge Type:	45mm Cartridge
Plumbing System Requirements:	Suitable for all plumbing systems
Minimum Dynamic Pressure:	0.3 Bar
Maximum Dynamic Pressure:	5.0 Bar
Maximum Hot Water Temperature: °C	65
Maximum Static Pressure: (bar)	10
Flow Type:	Single Flow
Isolation Included:	No

Features:

- Long life ceramic cartridge for added durability and ease of use
- Easy to use metal handle
- Minimum working pressure of 0.3 bar

Product Certifications:



For more products, visit our website:
<http://www.bristan.com>



Flow Rates (l/min)

System Pressure (bar)	0.3	0.5	1	2	3	5
CLR WMBF C	13.9	18	26.2	31.4	35	38.3

TECHNICAL DATA SHEET



BRISTAN

D4